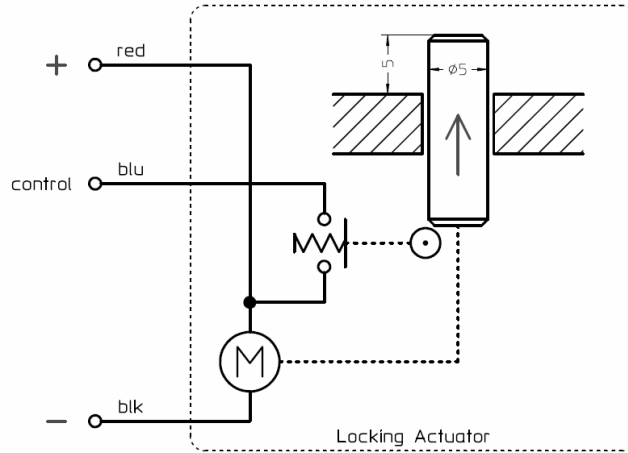
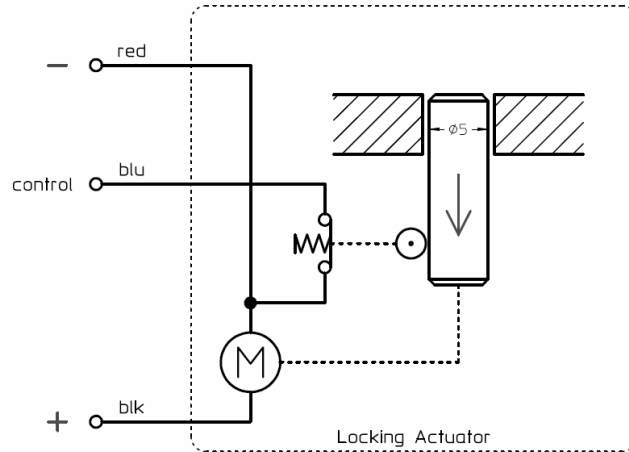


Locking Actuator (12V / 500mA for type 2 socket)

Situation 1 = locked



Situation 2 = unlocked



Testcircuit

